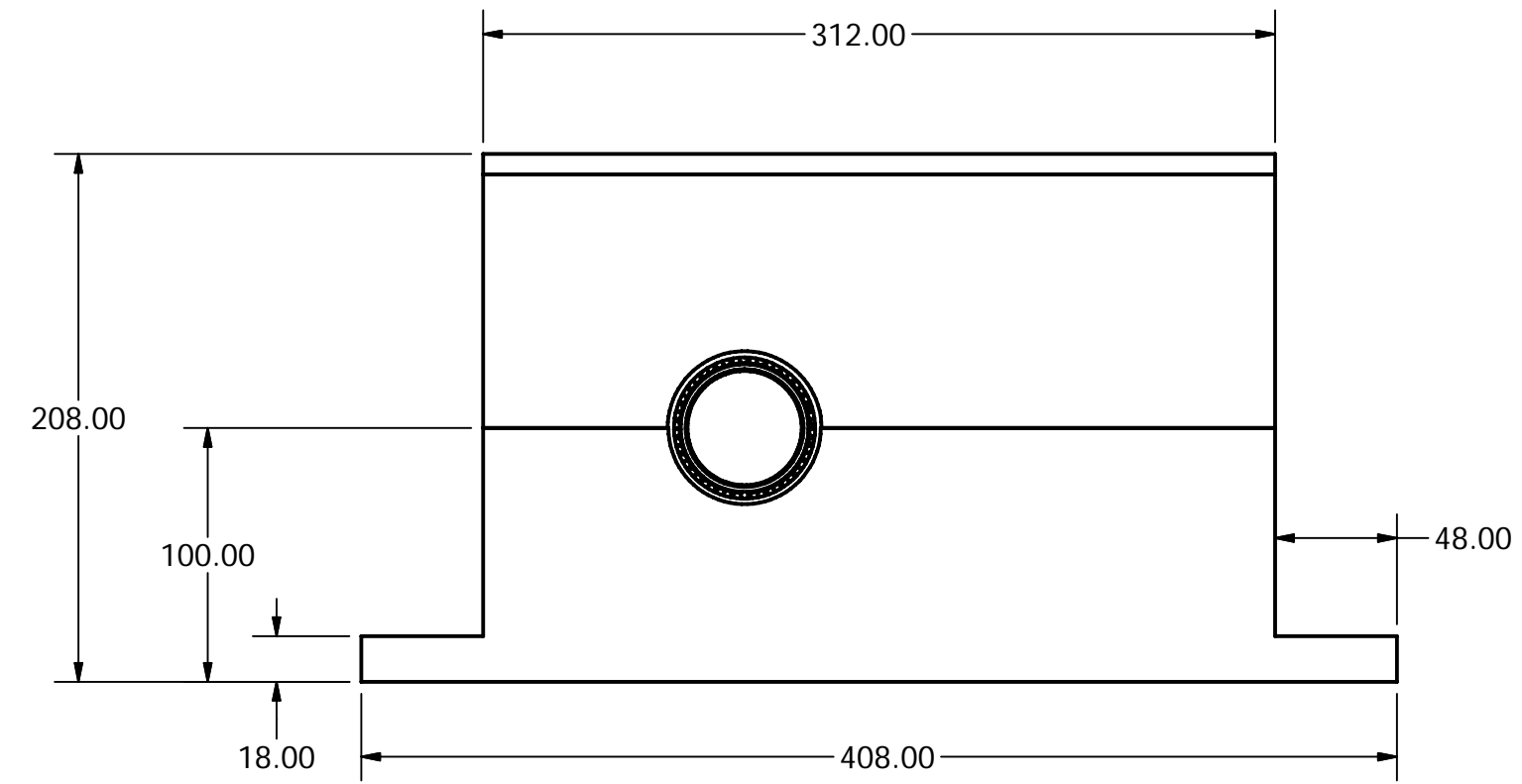
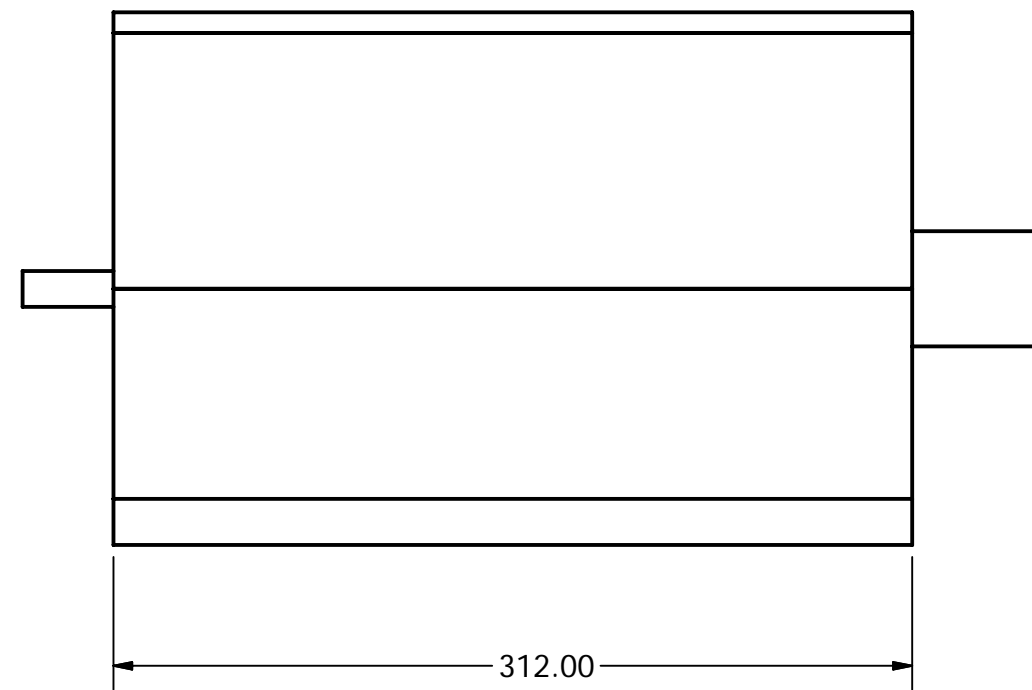
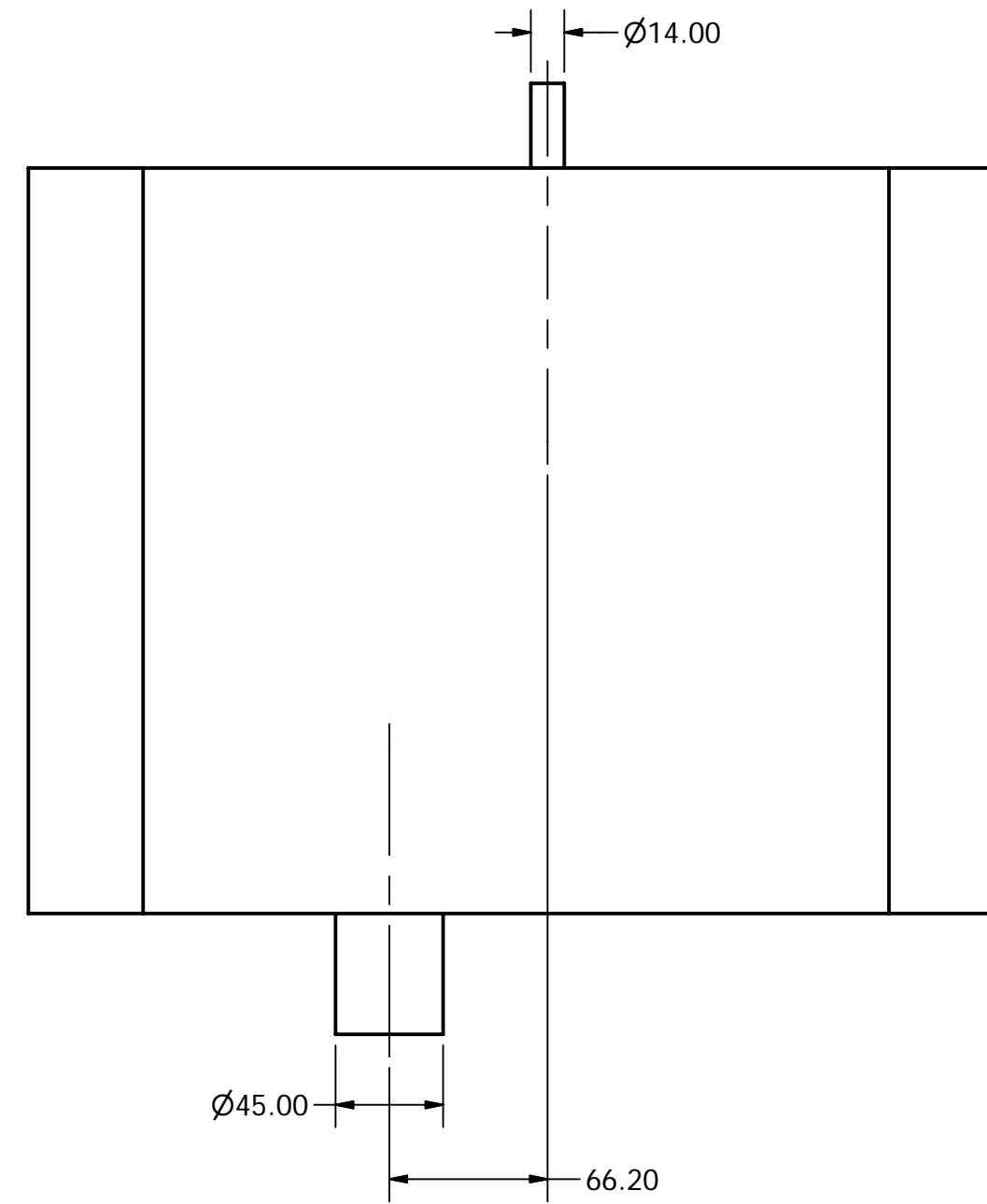


NOTES:

- 1) GEARBOX IS RATED AT 11,000 HP @ 10 RPM INPUT.
- 2) UNIT IS A 3 SPEED AUTOMATIC SHIFT PLC CONTROLLED.
- 3) RATIOS ARE 1:30, 1:120, AND 1:160.
- 4) GEARS ARE SPUR AND HELICAL TYPE.
- 5) BEARINGS ARE SPHERICAL ROLLER TYPE.
- 6) INTERNAL LUBRICATION SYSTEM INCLUDED.



DRAFT

ALL INFORMATION CONTAINED IN THIS DRAWING IS THE SOLE PROPERTY OF JRB GLOBAL SOLUTIONS. ANY USE OF THIS INFORMATION WITHOUT WRITTEN CONSENT OF JRB GLOBAL SOLUTIONS IS STRICTLY PROHIBITED.

TOLERANCES
(UNLESS OTHERWISE SPECIFIED)

X.XX = ± .01
 X.XXX = ± .005
 ANGULAR = ± 1'
 FRACTIONAL = ± 1/32

BREAK ALL SHARP EDGES
 .02 X 45° MIN
 ALL RADII R.03

DRAWN	CJW	6/23/2006
CHECKED		
MATERIAL		
TREATMENT		

JRB GLOBAL SOLUTIONS		
TITLE THRUST SYSTEM GEARBOX 3 SPEED		
SIZE C	DWG NO	REV
SCALE	SHEET 1 OF 1	